



Model F66605J

AIR OPERATED DOUBLE DIAPHRAGM PUMPS

Specifications

Suction & Discharge Size:	1/2" FNPT x 1/2" NPT
Porting Location:	Center
Connection Types:	NPT/BSP
Air Inlet:	1/4" FNPT
Porting Location:	Center
Exhaust port:	3/8" FNPT, optional
	Santoprene or PTFE balls and diaphragms
	Polypropylene Shipping Weight : 6.5lbs. (2.95 Kg)

Capabilities

Maximum Flow Rate:	13 gpm (49.2 lpm)
Maximum Air Supply Pressure:	100 psi (7 bar)
Displacement Per Stroke:	0.040 gal (0.15 lit)
Minimum Air Inlet Pressure:	10 psig (0.7 bar)
Maximum Particle Size :	0.094. in (2.4 mm)
Operating temperature:	Determined by elastomers

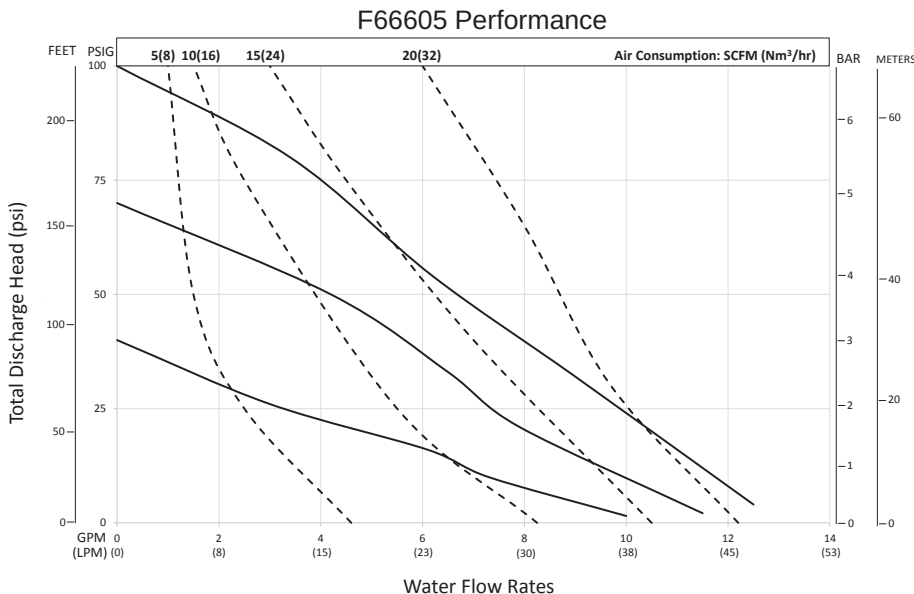
** Compatible with ARO Compact Classic Style model*

** Dimensionally interchangeable*

** Complete parts interchangeability*



F66605 Performance



Typical Applications

- Acids & Bases
- Plating Solutions
- Paints, Inks, Solvents

Typical Industries

- Mining
- Paints and Coatings
- Ceramics
- Pulp and Paper
- Electroplating & Anodizing
- Wastewater
- Marine
- Chemical Manufacturing & Distribution
- OEM's



Construction

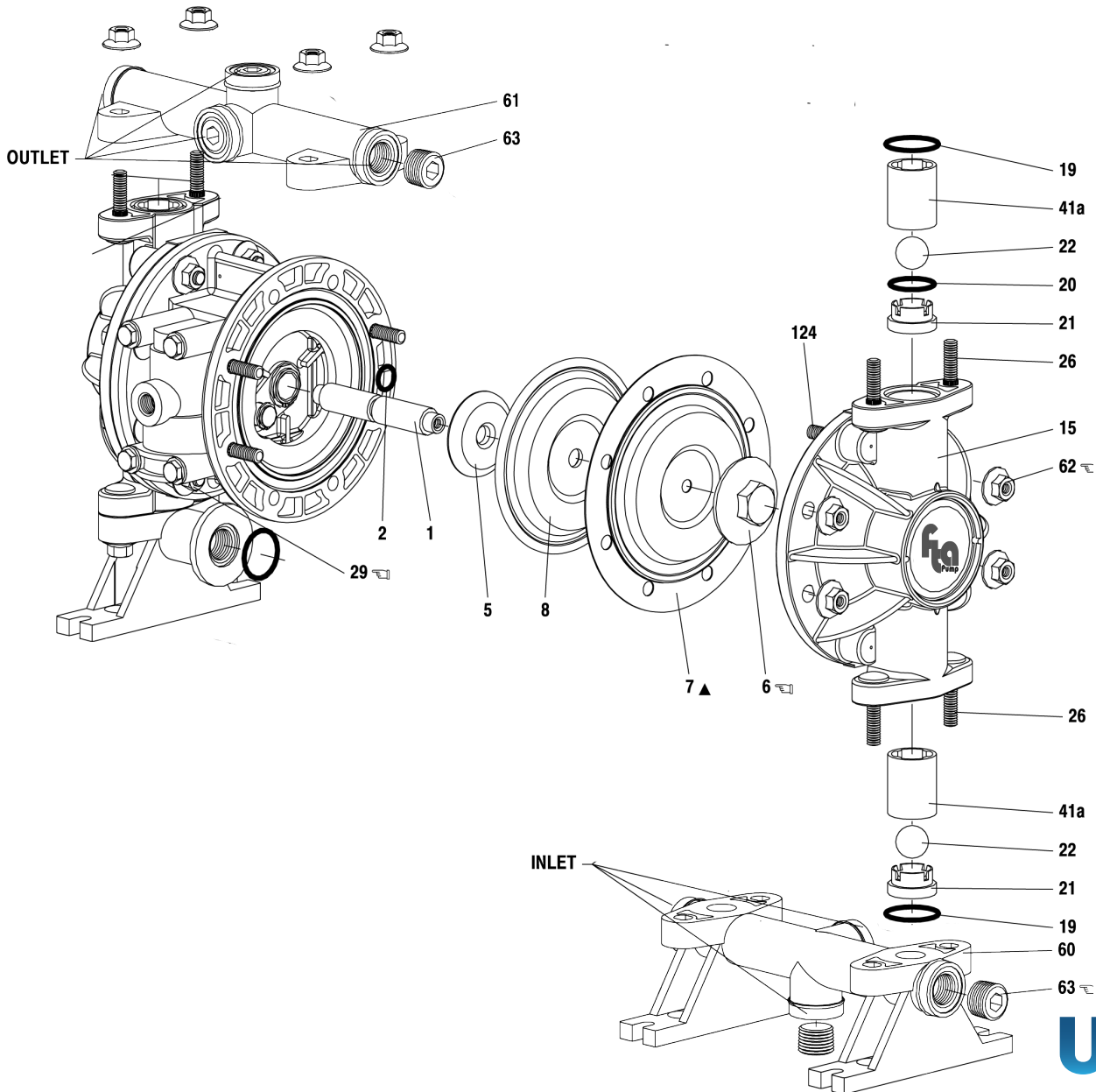
Wetted Materials:	Polypropylene and PVDF
Diaphragm Materials:	Neoprene, Santoprene™, FKM, EPDM, PTFE, Buna, Hytrel®, Polyurethane
Air Valve:	GFRPP
Ball Materials:	Neoprene, Buna, EPDM, FKM, Santoprene™, PTFE
Seat Materials:	Aluminum, 316SS, PTFE, Hytrel, Buna, Neoprene, EPDM, FKM, Santoprene™, Polyurethane
O-ring Materials:	Neoprene, Buna, EPDM, FKM, PTFE, FEP/FKM

Santoprene™ is a registered trademark of Exxon Mobil Corp.

THE RIGHT CHOICE

Dimensions

Maximum Height:	11.33 in (288.00 mm)
Maximum Width:	8.16 in (207.00 mm)
Maximum Depth:	6.47 in (164.00 mm)



FTA Pumps

27027 Westheimer Pkwy, Katy, TX
Tel: 713 344 1226



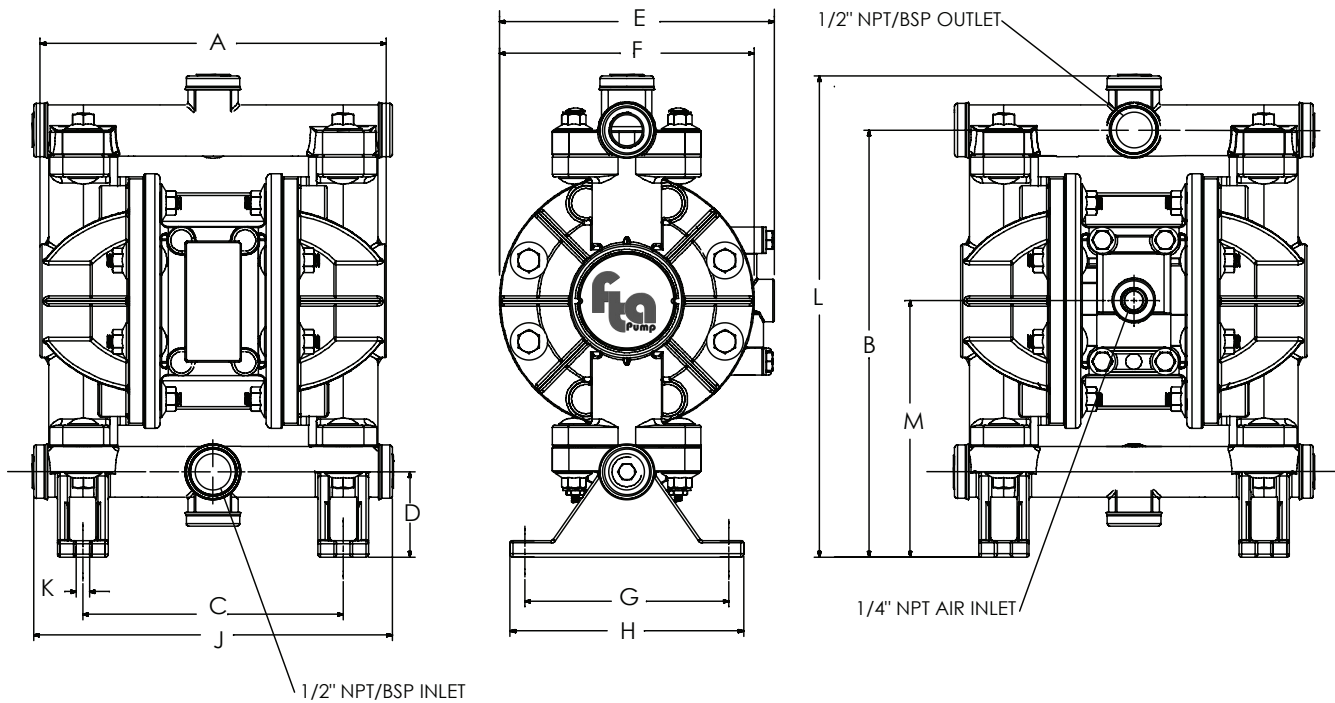
Part Number Model Codes

Model	Fluid Cap & Manifold	Seat Material	Ball Material	Diaphragm Material
F66605	J	3	E	B
F66605	J	3	4	4
	(J-Polypropylene)	(3-Polypropylene)	(E-Santoprene®)	(B-Santoprene®)
			(4-PTFE)	(4-PTFE/Santoprene®)



FTA Replacement Parts

ARO® Part No.	Pump-Fit Part No.	Description
637140-EB	F637140-EB	Wet End Kit, Santoprene®
637140-44	F637140-44	Wet End Kit, PTFE
637141	F637141	Air End Kit



F66605 Dimensions

A - 8.16" (207 mm)	E - 6.47" (164 mm)	J - 8.45" (215 mm)
B - 10.05" (255 mm)	F - 6.00" (152 mm)	K - 0.31" (8 mm)
C - 6.14" (155 mm)	G - 4.81" (122 mm)	L - 11.33" (288 mm)
D - 2.01" (51 mm)	H - 5.50" (140 mm)	M - 6.04" (153 mm)

Temperature Range for Internal Materials

Material	Maximum	Minimum
Polypropylene	175°F (79° C)	35°F (2° C)
Santoprene®	225°F (107° C)	-40°F (-40° C)
PTFE	225°F (107° C)	40°F (4° C)

ARO® is a registered trademark of Ingersoll-Rand Company. FTA and its products are not affiliated with any of the original equipment manufacturers referenced herein. All original equipment manufacturers' names, colors, descriptions, and part numbers are used for identification purposes only.



USA

FTA Pumps

27027 Westheimer Pkwy, Katy, TX
Tel: 713 344 1226

